



ComProtect® Overvoltage Protection

LSA-PLUS® and LSA PROFIL® Modules	16
LSA-PLUS® and LSA PROFIL® NT Modules	31
LSA-PLUS® DIRECT Module	38
HighBand® 10 Modules	40
Main Distribution Frame 71	41
Mini-distributors	47
Test Device for Protection Components	49

ComProtect® Overvoltage Protection

LSA-PLUS® and LSA PROFIL® Modules

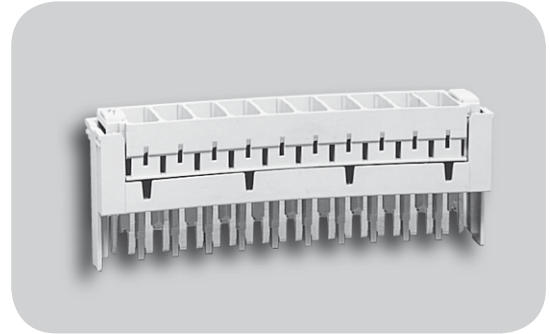
Basic Protection Magazine for LSA-PLUS® Series 2 Blocks

This basic protection magazine is recommended for use as a basic overvoltage protection in analog and digital telecommunication systems. The magazines are designed for the complete equipping of LSA-PLUS or LSA PROFIL disconnection or connection modules. For installation in LSA PROFIL distributors, earth contact clips are required to establish earth contact with the profile rods.

Optimal function for magazines is guaranteed only when used in conjunction with the corresponding overvoltage arrestors. For information on 2-pole overvoltage arrestors (gas discharge tubes), see the basic protection magazine for MDF 71, found on page 43

Features

- Designed for use with 2- or 3-pole overvoltage arrestors
- Overvoltage arrestors and fail-safe elements are replaceable
- Installation height is approximately 25 mm above the LSA-PLUS or LSA PROFIL module



Magazine 2/10 for 3-pole gas discharge tubes (GDT)

Ordering information appears on the following page.

ComProtect® Overvoltage Protection

LSA-PLUS® and LSA PROFIL® Modules

Ordering Information

Description	Weight/Pack	Catalogue Number
Basic protection magazine for 8-pairs with 3-pole overvoltage arrestors (8x13 mm) Quantity: 1 per pack, Installation height: \approx 25 mm above module		
Magazine 2/8 for 8-pair modules, unequipped	0.041 kg	6036 2 003-01
Magazine 2/8 for 8-pair modules, equipped with overvoltage arrestors (8x13 mm), 230V, 10kA/10A with fail-safe (6717 3 513-00)	0.080 kg	6036 2 003-04
Basic protection magazine for 10-pairs with 3-pole overvoltage arrestors (8 x 13 mm) Quantity: 1 per pack		
Magazine 2/10 for 10-pair modules, unequipped	0.052 kg	6089 2 023-01
Magazine 2/10 for 10-pair modules, equipped with overvoltage arrestors (8x13 mm), 230V, 10kA/10A with fail-safe (6717 3 513-00)	0.095 kg	6089 2 023-08
Basic protection magazine for 8-pairs with 2-pole overvoltage arrestors (8x6 mm) Quantity: 1 per pack		
Magazine 2/8 for 8-pair modules, unequipped	0.047 kg	6036 2 004-01
Magazine 2/8 for 8-pair modules, equipped with 2-pole overvoltage arrestor (8x6 mm) (metal/ceramic), 90V, 20kA/20A (6717 3 341-00) and fail-safe contact (6417 2 010-00)	0.080 kg	6036 2 004-61
Magazine 2/8 for 8-pair modules, equipped with 2-pole overvoltage arrestors (8x6 mm; metal/ceramic), 230V, 5kA/5A (6717 3 343-03) and fail-safe contact (6417 2 010-00)	0.075 kg	6036 2 004-62
Basic protection magazine for 10-pairs with 2-pole overvoltage arrestors (8x6 mm) Quantity: 1 per pack		
Magazine 2/10 for 10-pair modules, unequipped	0.069 kg	6089 2 024-01
Magazine 2/10 for 10-pair modules, equipped with 2-pole overvoltage arrestor (8x6 mm; metal/ceramic), 230V, 10kA/10A (6717 3 343-01) and fail-safe contact (6417 2 010-00)	0.095 kg	6089 2 024-61
Magazine 2/10 for 10-pair modules, equipped with 2-pole overvoltage arrestor (8x6 mm; metal/ceramic), 230V, 5kA/5A (6717 3 343-03) and fail-safe contact (6417 2 010-00)	0.095 kg	6089 2 024-63

ComProtect® Overvoltage Protection

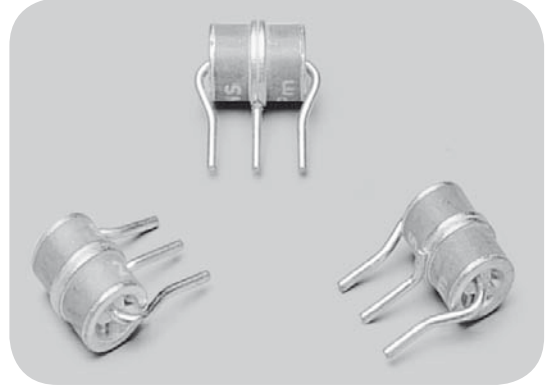
LSA-PLUS® and LSA PROFIL® Modules

3-Pole Overvoltage Arrestors

The 3-pole overvoltage arrestor (metal/ceramic) is filled with noble-gas and features optional fail-safe (type 8x13) and offers effective 3-point protection for the most varied applications. For 10-pairs, ten overvoltage arrestors are required.

Features

- Reliable limitation of overvoltages
- Diversion of high currents
- Thermal protection by means of fail-safe



3-pole overvoltage arrestors without fail-safe

Ordering Information

Description	Catalogue Number
3-pole overvoltage arrestors (8x13 mm) Quantity: 1 per pack Weight/Pack: 0.002 kg	
230V, 10kA/10A, without fail-safe	6717 3 503-00
350V, 10kA/10A, without fail-safe	6717 3 504-00
230V, 20kA/10A, with fail-safe	6717 3 513-90
230V, 10kA/10A, with fail-safe	6717 3 513-00
350V, 10kA/10A, with fail-safe	6717 3 514-00

Fail-Safe Contact

These elements are used in conjunction with the 2-pole overvoltage arrestors (gas discharge tubes, GDT), type 8x6 mm, which are installed in the basic protection magazines 2/10 or 2/8 for LSA-PLUS® blocks. Their functionality is only guaranteed when they are used in conjunction with metal/ceramic overvoltage arrestors.

In the case of thermal overload (which triggers the fail-safe contact), both the overvoltage arrestor and the fail-safe contact must be replaced.

Features

- Protection against long-term thermal overload
- Replaceable component



Ordering Information

Description	Catalogue Number
Fail-safe contact Quantity: 1 per pack Weight/Pack: 0.001 kg	6417 2 010-00

ComProtect® Overvoltage Protection

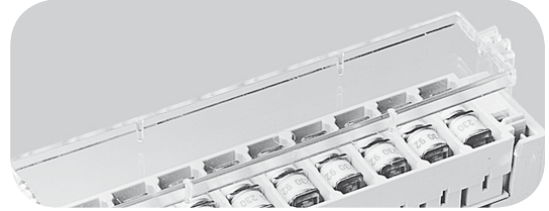
LSA-PLUS® and LSA PROFIL® Modules

Magazine Cover

The magazine cover is transparent and is used with overvoltage protection magazine 2/10 with gas discharge tube (GDT), 8x6 or 8x13.

Features

- Provides dust protection
- Prevents accidental contact with the overvoltage protection magazine



Ordering Information

Description	Catalogue Number
Magazine cover Quantity: 1 per pack Weight/Pack: 0.005 kg	
With KRONE® logo	6417 3 022-01
Without KRONE® logo	6417 3 022-03

ComProtect® Overvoltage Protection

LSA-PLUS® and LSA PROFIL® Modules

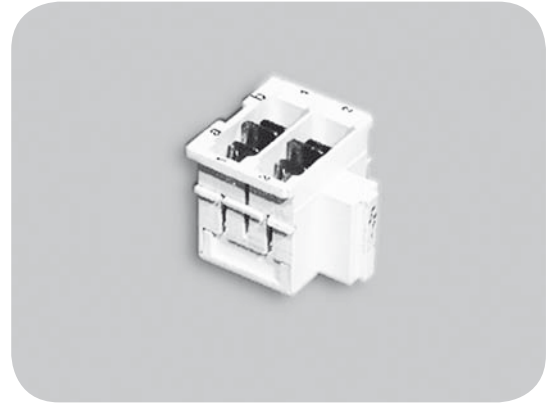
Basic Protection Magazine for LSA-PLUS® Series 8 Blocks

This basic protection magazine is recommended for use as basic overvoltage protection in analog telecommunications systems. For basic protection, 2-pole overvoltage arrestors (gas discharge tubes, GDTs) 8x6mm, as well as optional fail-safe contacts can be installed. For information on 2-pole overvoltage arrestors, see the basic protection magazine for MDF 71, found on page 43.

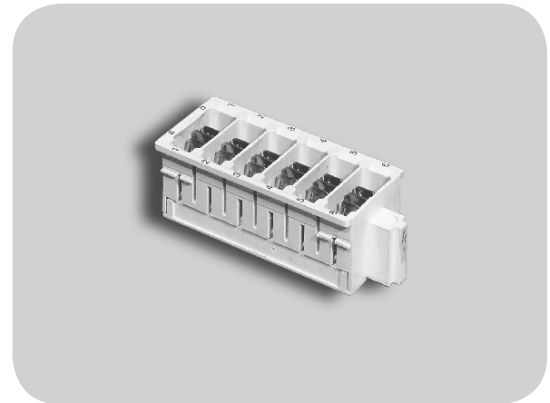
Features

- Enables individual configuration of number of protected pairs

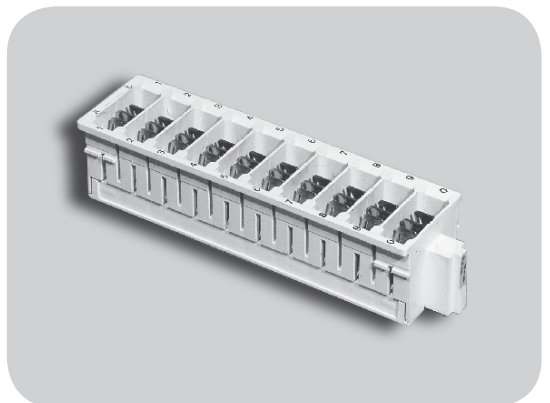
Ordering information appears on the following page.



2-pair magazine for 2-pole overvoltage arrestors



6-pair magazine for 2-pole overvoltage arrestors



10-pair magazine for 2-pole overvoltage arrestors

ComProtect® Overvoltage Protection

LSA-PLUS® and LSA PROFIL® Modules

Ordering Information

Description	Weight/Pack	Catalogue Number
Basic protection magazine for Series 8 modules, 2-pairs (8/2) Quantity: 1 per pack		
Magazine 8/2, unequipped	0.014kg	6430 2 001-00
Magazine 8/2, equipped with overvoltage arrestors (8x6mm; metal/ceramic), 230V, 20kA/20A, fail-safe contact (6417 2 010-00)	0.020kg	6430 2 001-01
Magazine 8/2, equipped with overvoltage arrestors (8x6mm; metal/ceramic), 230V, 20kA/20A	0.018kg	6430 2 001-02
Magazine 8/2, equipped with overvoltage arrestors (8x6mm; metal/ceramic), 230V, 10kA/10A	0.018kg	6430 2 001-03
Magazine 8/2, equipped with overvoltage arrestors (8x6mm; metal/ceramic), 230V, 5kA/5A, fail-safe contact (6417 2 010-00)	0.018kg	6430 2 001-05
Basic protection magazine for Series 8 modules, 6-pairs (8/6) Quantity: 1 per pack		
Magazine 8/6, unequipped	0.038kg	6431 2 001-00
Magazine 8/6, equipped with overvoltage arrestors (8x6mm; metal/ceramic), 230V, 20kA/20A, fail-safe contact (6417 2 010-00)	0.056kg	6431 2 001-01
Magazine 8/6, equipped with overvoltage arrestors (8x6mm; metal/ceramic), 230V, 20kA/20A	0.056kg	6431 2 001-02
Magazine 8/6, equipped with overvoltage arrestors (8x6mm; metal/ceramic), 230V, 10kA/10A	0.056kg	6431 2 001-03
Magazine 8/6, equipped with overvoltage arrestors (8x6 mm; metal/ceramic), 230V, 5kA/5A, fail-safe contact (6417 2 010-00)	0.056kg	6431 2 001-04
Basic protection magazine for Series 8 modules, 10-pairs (8/10) Quantity: 1 per pack		
Magazine 8/10, unequipped	0.055kg	6432 2 001-00
Magazine 8/10, equipped with overvoltage arrestors (8x6mm; metal ceramic), 230V, 20kA/20A, fail-safe contact (6417 2 101-00)	0.091kg	6432 2 001-01
Magazine 8/10, equipped with overvoltage arrestors (8x6mm; metal ceramic), 230V, 20kA/20A	0.081kg	6432 2 001-02
Magazine 8/10, equipped with overvoltage arrestors (8x6mm; metal/ceramic), 230V, 10kA/10A	0.081kg	6432 2 001-03
Magazine 8/10, equipped with overvoltage arrestors (8x6 mm; metal/ceramic), 230V, 5kA/5A, fail-safe contact (6417 2 010-00)	0.081kg	6432 2 001-04